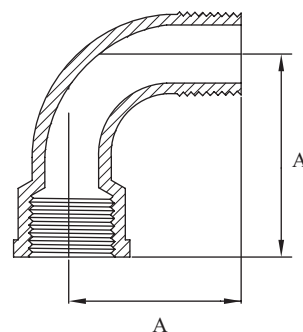


Galvanised Malleable Male-Female Bend 90 Degree

Galvanised Malleable Male-Female Bend 90 Degree			
AAP CODE	IMPERIAL SIZE	A	APPROX KG/PC
LBDMF08	1/4	38	0.06
LBDMF10	3/8	44	0.08
LBDMF15	1/2	52	0.10
LBDMF20	3/4	65	0.19
LBDMF25	1	82	0.30
LBDMF32	1-1/4	100	0.53
LBDMF40	1-1/2	115	0.66
LBDMF50	2	140	1.20
LBDMF65	2-1/2	175	2.25
LBDMF80	3	205	3.00
LBDMF94	4	260	6.75



Galvanised Malleable Flange BS10 Undrilled Table "D"

Galvanised Malleable Flange BS10 Undrilled Table "D"					
AAP CODE	IMPERIAL SIZE	A	B	C	APPROX KG/PC
LF15	1/2	95.0	12.7	7.2	0.27
LF20	3/4	102.0	15.9	7.9	0.30
LF25	1	114.0	17.5	8.7	0.50
LF32	1-1/4	120.0	19.1	8.7	0.65
LF40	1-1/2	133.0	22.2	9.5	0.76
LF50	2	152.0	25.4	10.3	1.09
LF65	2-1/2	164.5	30.0	10.3	1.36
LF80	3	184.0	33.8	10.3	1.70
LF94	4	216.0	39.0	11.2	2.55
LF96	6	280.0	41.7	13.8	4.50

